

Raindance Select

Raindance Select E 360 1jet ST Showerpipe

Surfaces: **white/chrome** Article Number: **27288400**



Description

product features

- overhead shower Raindance E 360 Air
- shower head size: 360 x 190 mm
- overhead shower angle adjustable
- spray type: RainAir
- flow rate RainAir spray (at 0.3 MPa): 14 l/min
- operating pressure: min. 0.2 MPa / max. 1.0 MPa
- fully chrome-plated spray disc
- shower arm length: 380 mm
- thermostat ShowerTablet Select 300
- with spacious shelf
- shelf finish: chrome or white
- isolated water conduction
- safety lock at 40° C
- adjustable hot water limitation
- convenient diversion via Select button
- installation type: exposed installation
- connection dimension DN15
- connection thread G ½
- centre distance 150 ± 12 mm
- scope of supply: wall bar spacer (grey)
- in case of installation on existing G ½ connections, adaptor no.02026000 must be used

consists of

- Porter'S shower holder (#28331XXX)
- Isiflex shower hose 1.60 m (#28276XXX)
- Raindance Select E 120 3jet hand shower (#26520XXX)

Technology



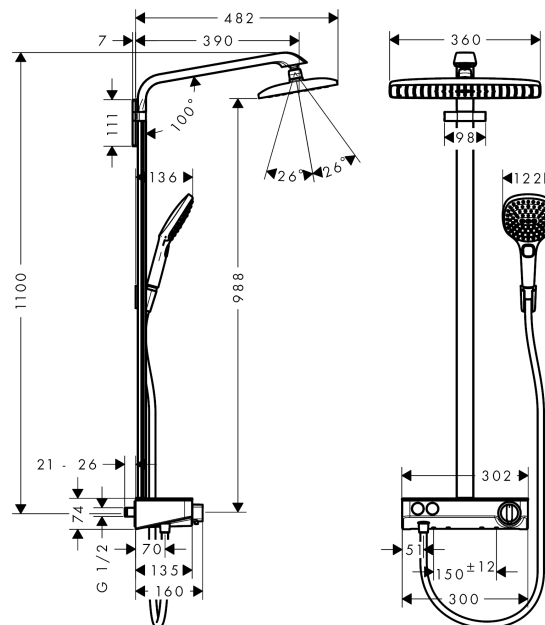
Raindance Select
Raindance Select E 360 1jet ST Showerpipe
 Surfaces: **white/chrome** Article Number: **27288400**



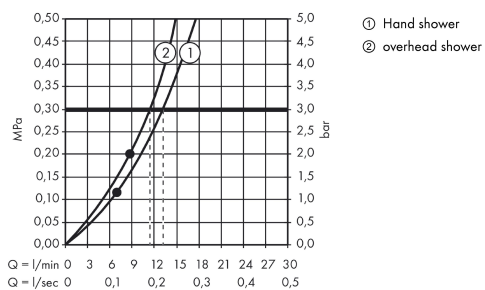
Product image



Scale drawing



Flowchart



Raindance Select

Raindance Select E 360 1jet ST Showerpipe

Surfaces: **white/chrome** Article Number: **27288400**



Installation examples

