

Product: KLUDI wall mounted basin mixer for concealed 2-hole installation DN 15

Ref.: 38243

Product description

wall mounted basin mixer for concealed 2-hole installation DN 15
 pre-installation set
 in-wall installation
 flow class S
 ceramic cartridge with hot water safety device
 with protection sleeve G 1/2
 mounting-depth-compensation 30 mm
 2 connectors G 1/2
 without trim set
 noise group I

Advertisement

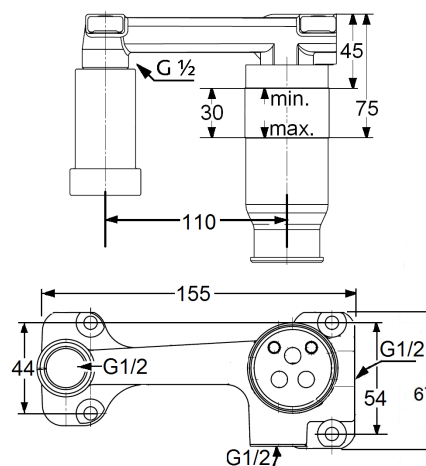
- * KLUDI GmbH & Co KG KLUDI wall mounted basin mixer for concealed 2-hole installation item no. 38243
- ** ceramic cartridge with hot water safety device Ø 35 mm, DIN EN 817
- *** brass, DIN 50930-6
- **** pre-installation set 2-hole basin mixer

wall mounted basin mixer for concealed 2-hole installation, manufacturer KLUDI GmbH & Co KG KLUDI wall mounted basin mixer for concealed 2-hole installation item no. 38243, DN 15, brass DIN 50930-6, type: wall mounted basin mixer for concealed 2-hole installation, pre-installation set for in-wall installation, ceramic cartridge with hot water safety device Ø 35 mm, noise level DIN 4109 group I, report no. P- IX., flow class S (max. 0,27 l/s), installation depth min. 45 mm to max. 75 mm, mounting-depth-compensation 30 mm with protection sleeve G 1/2, 2 connectors G 1/2 for cold and hot water supply, for pressure type water heater, for continuous line heater, PN 10,

Product picture



Dimensional drawing



Flow rate diagram

