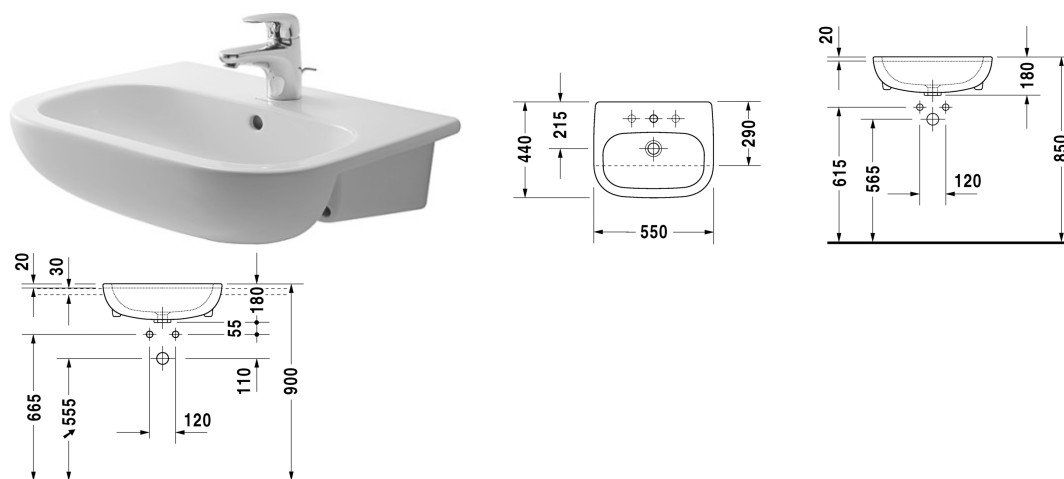


Semi-recessed washbasin # 0339550000 / 0339550030

|< 550 mm >|



Semi-recessed washbasin	Dimension	Weight	Order number
with overflow, with tap platform, fixings for installation in wooden consoles included, 550 mm			
<b>Colors</b>			
00 White Alpin			
<b>Variant</b>			
●	550 x 440 mm	14,500 kg	0339550000
● ● ●	550 x 440 mm	14,500 kg	0339550030

All drawings contain the necessary measurements which are subject to standard tolerances. They are stated in mm and are non-binding. Exact measurements, in particular for customised installation scenarios, can only be taken from the finished ceramic piece.