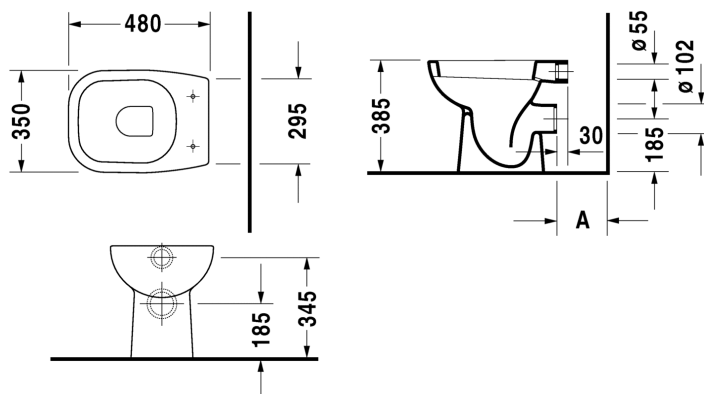


**Toilet floor standing # 21080900002**

|&lt; 350 mm &gt;|



	A
Flushometer, cranked flush pipe 35 mm	175
Cistern, depth 138 mm	200

Toilet floor standing	Dimension	Weight	Order number
for independent water supply, washdown model, fixings included, horizontal outlet, EWL class 2			
<b>Colors</b>			
00 White Alpin			
<b>Variant</b>			
♠ 6,0 l	350 x 480 mm	15,400 kg	21080900002
<b>Accessory</b>			
Toilet seat and cover hinges stainless steel, without soft closure		2,420 kg	006731
Toilet seat and cover hinges plastic, with soft closure		2,640 kg	006739
<b>Suitable products</b>			
Toilet seat and cover hinges plastic, with soft closure,			006739
Toilet seat and cover hinges stainless steel, without soft closure,			006731

All drawings contain the necessary measurements which are subject to standard tolerances. They are stated in mm and are non-binding. Exact measurements, in particular for customised installation scenarios, can only be taken from the finished ceramic piece.